



The technical data may be changed without prior notice

# DM848 Intelligent Network Music Player

[www.auxdio.com.cn](http://www.auxdio.com.cn)



## User Manual



Guangzhou DSPPA Audio Co., Ltd.

Address: No.1 Xiahe Road, Jianggao Town, Baiyun District, Guangzhou, China

Post Code: 510450

Tel: +86-20-37166520

Website: [www.auxdio.com.cn](http://www.auxdio.com.cn)

Guangzhou DSPPA Audio Co., Ltd.

## Safety precautions

**Warning!** To reduce the risk of electric shock or equipment damage, please follow the following requirements:

- Do not insert the power plug of the unit into the grid before connecting the system cable.
- Make sure that the voltage input to the device is exactly the same as the voltage requirements of this equipment. Otherwise, there is a risk of burning the equipment.
- High pressure inside the machine! Do not open the case to avoid the risk of electric shock!
- When the power switch of this equipment is in the "OFF" state, the machine is not completely disconnected from the power supply. For safety reasons, please unplug the power cord from the outlet when the device is not in use.
- Do not place the device in a subcooled or overheated place.
- Ensure that the working environment of the equipment is well ventilated to avoid damage to the machine due to excessive heat dissipation during operation.
- When the weather is wet, unplug the power plug to prevent leakage.
- Before removing or reassembling any parts of the equipment, disconnect or re-connect any electrical plugs or other connections to the equipment, be sure to unplug the power plug to ensure that the device is completely disengaged from the grid.
- When the equipment is faulty, the non-professionals are not permitted, please do not open the cabinet to repair, in order to avoid accidents or increase the damage to the equipment.
- Do not place any corrosive chemicals near the equipment.

### Please note the following symbols:



Lightning triangular symbols are used to alert the user to the risk of electric shock.



The exclamation point triangle symbol is used to alert the user to important operational or maintenance instructions.

## APP Client

1. This device can support intelligent control of iOS and Android system. It will help you to manage and control this host system. Please select the QR code below to download the "Control X" software.

After installing the "Control X", please ensure that the control terminal and the host are connected to the same network, so as to control the host. For example, the host is connected to a router, and the control device is also connected to the same router, and then you can use your mobile phone to control the host.



Control X for Android



Control X for iOS

2. Scan the QR code to check the electronic user manual of "Control X" .



User Manual of Control X

## Specification

Item	Specification	Parameter
<b>Audio Source</b>	Local audio source, Network Radio, Network Music, Bluetooth, AUX audio source	
<b>Audio Input</b>	Sensitivity	1.0V
	Freq. Response	20-20kHz
<b>Amplifier Output</b>	Power	2×20W/8Ω
	Freq. Response	20-20kHz
	THD	≤0.2%@1KHz
	SNR	≥81dB
<b>Network</b>	Interface Standard	RJ45 ( 10/100M )
<b>Other Specification</b>	Power supply	~100-240V 50Hz/60Hz
	Dimension (H×W×D)	88×427×280mm
	Gross Weight	2.8kg
	Net Weight	2.9kg

## Packing List

List	Quantity
Intelligent Network Music Player .....	1
Power cable .....	1
User Manual .....	1

## Contents

Preface .....	1
Product Introduction .....	1
Features .....	1
Information .....	2
Operation Instruction .....	3
Connection and Installation .....	5
Specification .....	5
Packing List .....	6
APP Client .....	7

## Preface

Thank you for choosing our products. All products have been rigorously tested before leaving the factory, abide by the quality of commitment. This product is widely used in schools, gymnasiums, square venues, parks, parking lots, railway stations, airports, villas, shopping malls and other places, is the ideal choice for public broadcasting. In order to facilitate your installation, commissioning and use of this product, please read this manual before installation.

## Product Profile

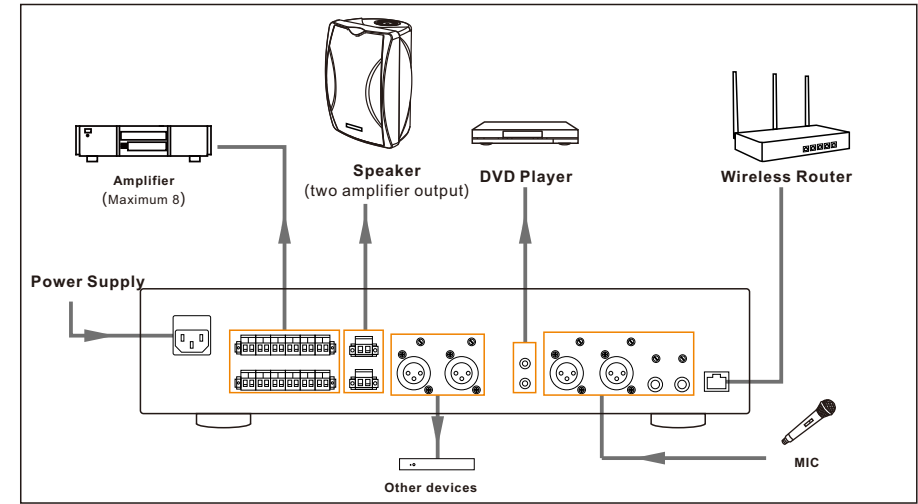
This is an intelligent network music player with a 5-inch sensitive touch screen in industrial design. With 8 audio transmission channels and multiple interfaces, it is connectable to external devices such as amplifiers, microphones etc..

## Features

- 5-inch TFT HD screen, with high resolution, capacitive touch, and graphical interface, easy to operate.
- With 8-channel audio output interfaces with relative adjustment switches, can be connected to external active speakers.
- With multiple audio sources: Local, Network radio, Network music, Bluetooth, and AUX.
- Built-in high-performance Hi-Fi digital amplifier.
- Support DLNA/airplay push.
- With timing function.
- RJ45 network interface, connected to wired network or wireless router; support wireless control of iOS and Android devices; support remote access to music list and music name, and remote control of previous song, next song, volume adjustment etc.
- Support multiple audio formats: MP3, WAV, FLAC, etc.
- 4-channel MIC inputs with the highest priority level.

## Connection and Installation

### Connection Diagram



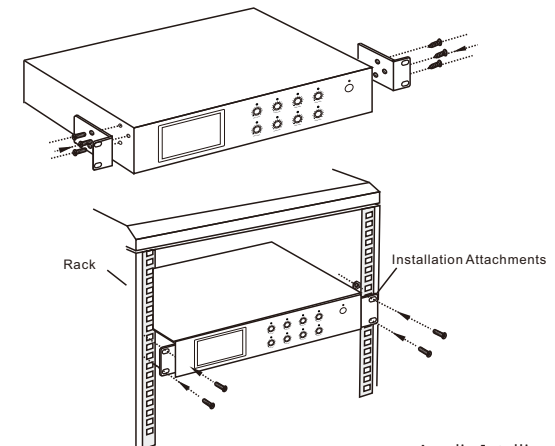
### Installation

#### 1. Horizontal placement


Put the device on a flat surface.

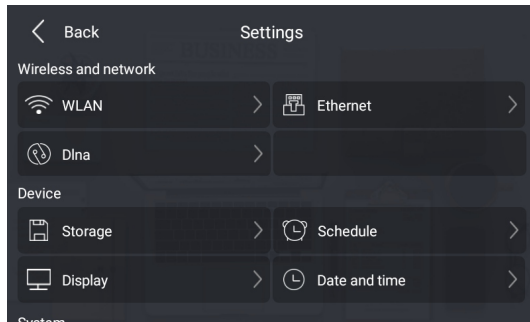
#### 2. Installation on the rack

Push the product parallel to the cabinet, so that the mounting hole on both sides of the product is aligned to the mounting holes on both sides of the cabinet. Then fix with screws.



## Settings

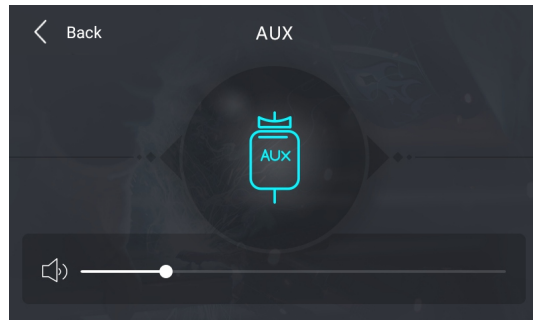
1. Touch “” to enter settings interface.



(Settings Interface)

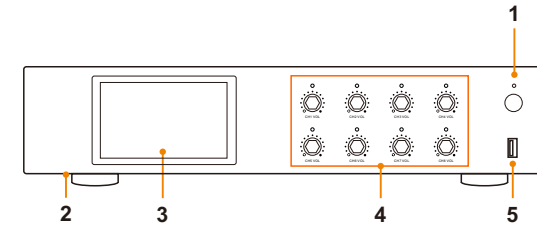
## AUX

1. Touch “” in the main interface to enter AUX interface.



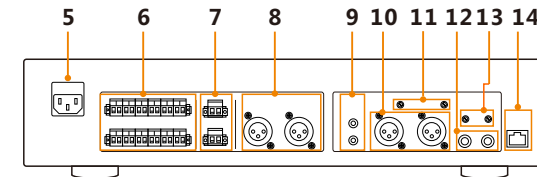
(AUX)

## Information

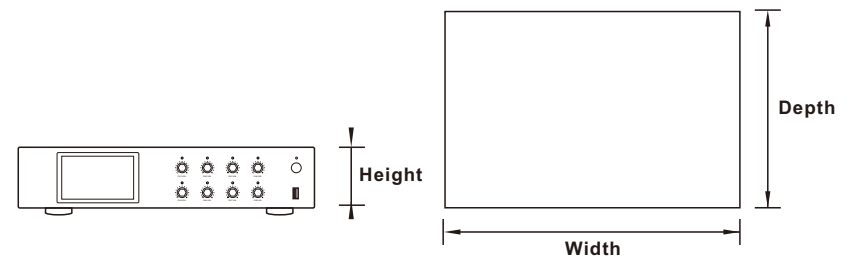


1. POWER (ON when the LED is on)
2. SD Interface
3. Display Screen
4. Audio Output Volume Control
5. Network interface (RJ45)

### Rear Panel



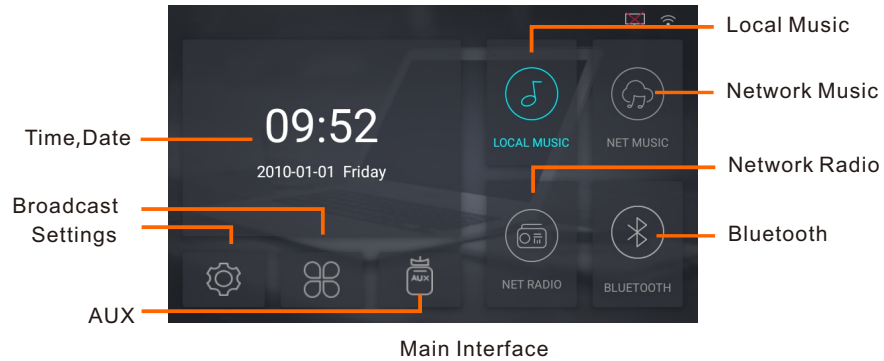
5. Power supply interface
6. 8 channels of audio output
7. 2 channels of amplifier output
8. 2 output channels (XLR)
9. Audio signal input (RCA)
10. 2 input channels (XLR)
11. Gain adjustment
12. MIC input (6.3mm)
13. Gain adjustment
14. Network interface (RJ45)



Model	Height	Width	Depth
Dimension	88	427	280

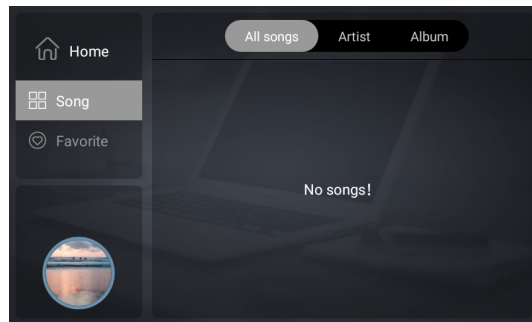
(Unit: mm)

## Operation Instruction



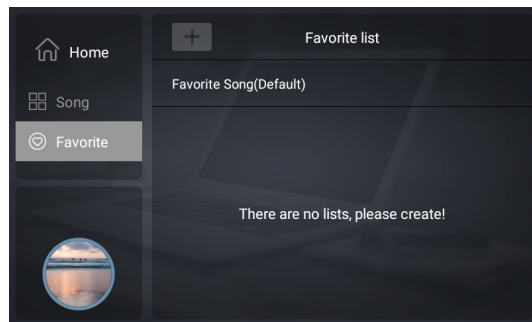
### Local Music

1. Touch in main interface to enter local music play interface.



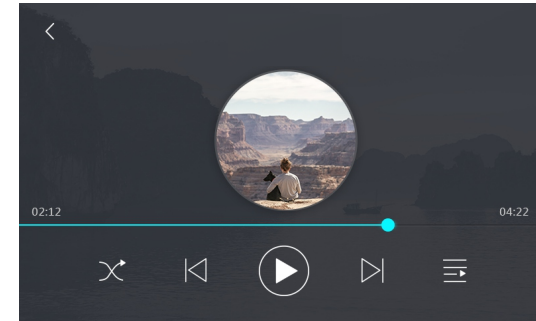
(Local music)

2. Touch Favorites to enter the list.



(Favorites List)

3. Touch the song to enter music list.



(Play Interface)

### Introduction of icons

" Back

" Next

" Shuffle Play

" Play/Pause

" Play List

" Loop

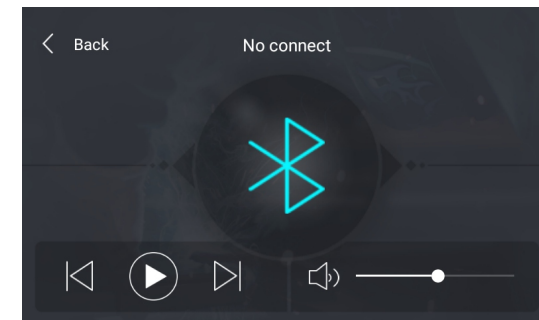
" Previous

" Single Play

" Single Loop

### Bluetooth

1. Touch in the main interface to enter local music play interface.



(Play Interface)